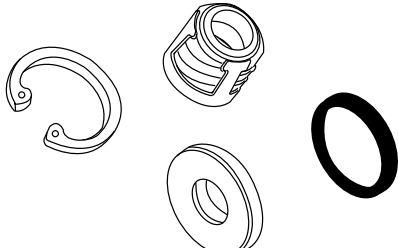




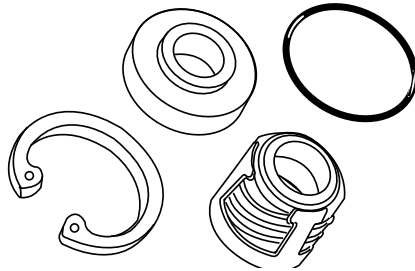
COMPRESSOR SHAFT SEALS

220-22000



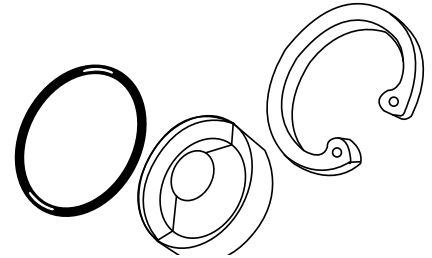
GM A6, R4
Ceramic Seal kit

220-22001



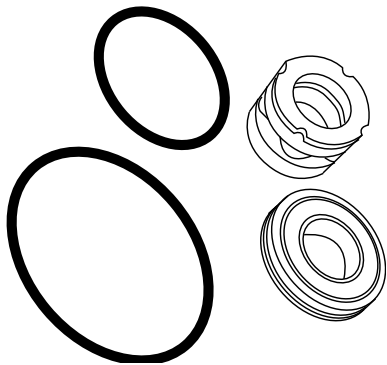
GM A6, R4
Metal Seal kit

220-22002



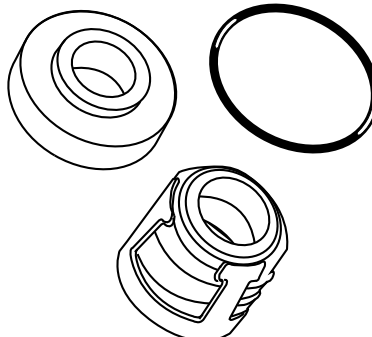
R4, DA6, V5
Teflon Lip Seal kit
GM # 2724319

220-22003



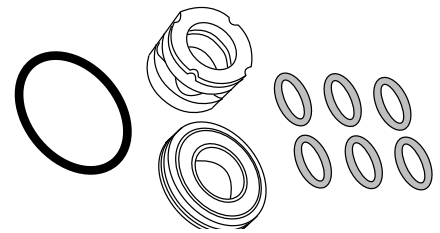
Chrysler RV2 Seal kit

220-22004



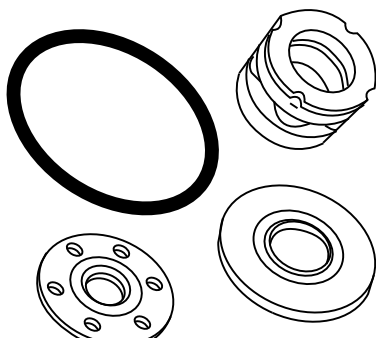
Sanden 507, 508, 510 seal kit

220-22005



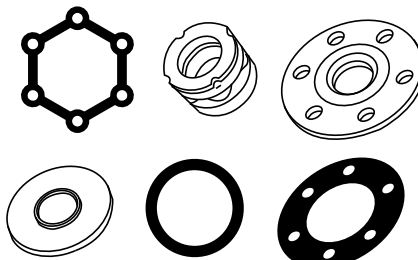
C171, FS6, A590,
Nippondenso
6P134, 6P148 seal wave
spring
10P08E (Two Piece Type)

220-22006



York 206, 209 & 210 97-94
6 Bolt 7/32" holes
1/4 Bolt Size

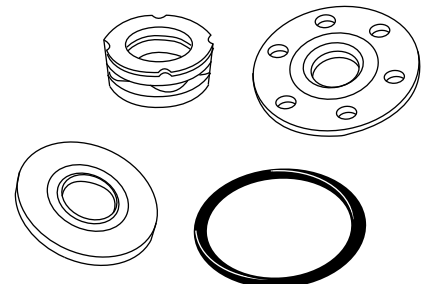
220-22007



York, Tecumseh & FEMSA
6 Bolt 9/32" holes 3/8" or 1/2"
Bolt Size

220-22008

R12 & R134A



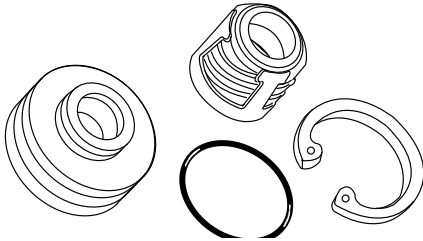
York 206, 209 & 210 83-65
5 Bolt seal
with 7/16" Bolt Size



COMPRESSOR SHAFT SEALS

220-22009

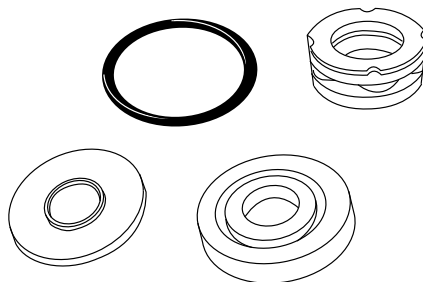
R12 ONLY



York Diesel Kiki YA12, YA15
Seal kit. BH models.

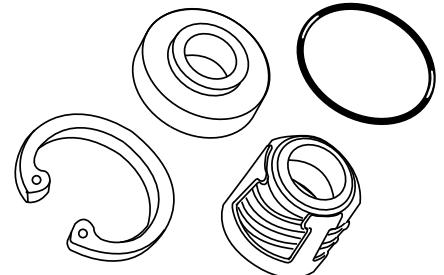
220-22010

R12 & R134A



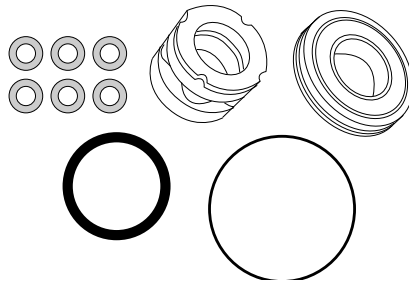
Tecumseh w/large front
Bearing (2 7/16" DIA)

220-22011



Tecumseh HR980 seal kit

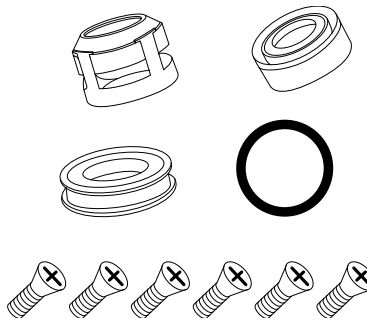
220-22012



Nippondenso 6P127A,
6P127B, 10P13, 10P15,
6E171, 6P148

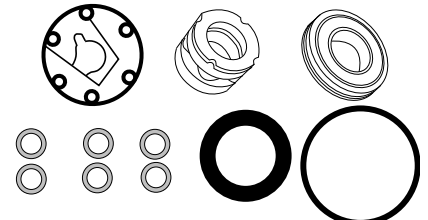
220-22013

R12 & R134A



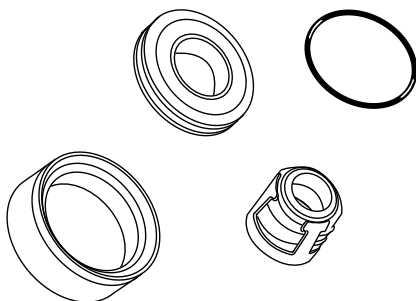
Hitachi MJ 167

220-22014



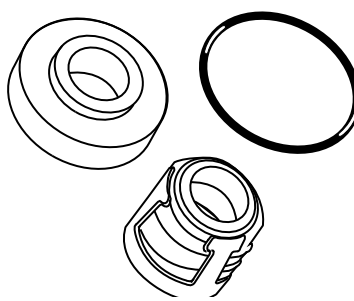
Nippondenso 6P134

220-22015



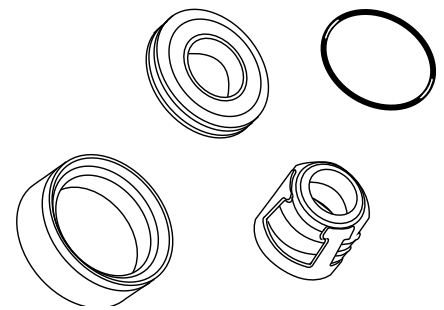
Sanden SD507, 508, 510 OEM
Replacement

220-22017



Sanden 505 OEM Replacement

220-22018

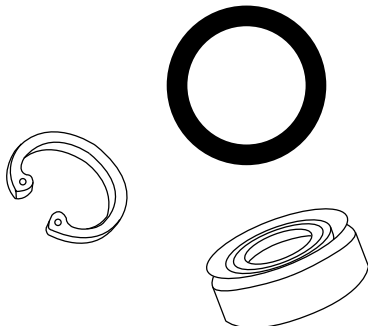


Sanden 708, 709 OEM Mechanical



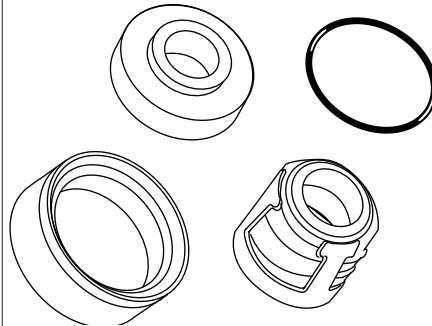
COMPRESSOR SHAFT SEALS

220-22019



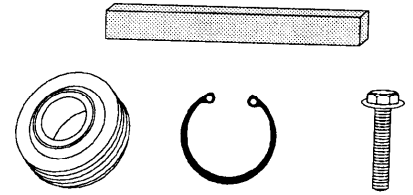
Seltec / Tama / Diesel Kiki
TM13, 15 & 16 Models

220-22020



Sanden 508-510
Heavy Duty OEM

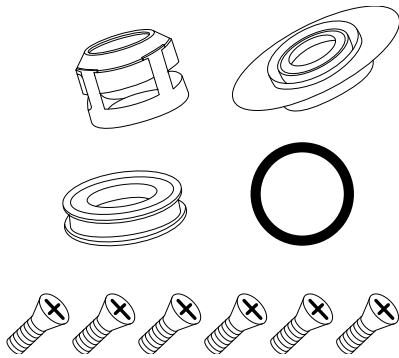
220-22137



FS10 / FX15

220-22142

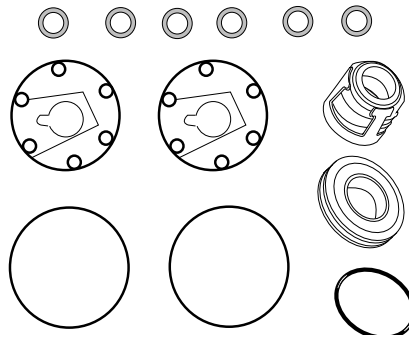
R12 & R134A



Hitachi MJ170 & MJS130

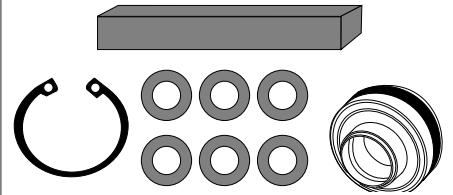
220-22143

R12 & R134A



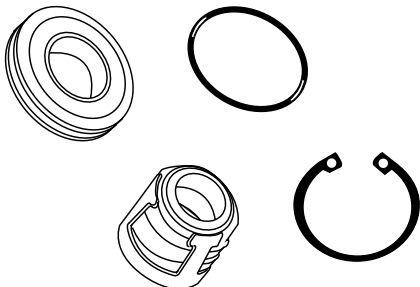
C171, A590, FS6
Gasket Kit/ Seal Kit

220-22145



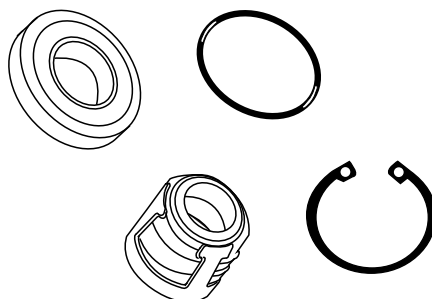
Nippondenso 10PA15C,
10PA17C & 10PA20C

220-22146



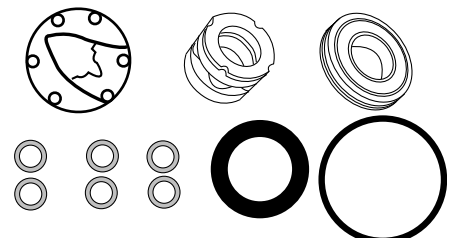
Shaft Seal Kit Seiko Seiki
SS170PSS

220-22148



Shaft Seal Assy TM-26

220-22149



Shaft Seal Kit 6P148



COMPRESSOR SHAFT SEALS

220-22150

PICTURE
NOT
AVAILABLE

Nippondenso 10P13, 10P15 &
10P17
(Coil Spring Two Piece Type)

220-22151

PICTURE
NOT
AVAILABLE

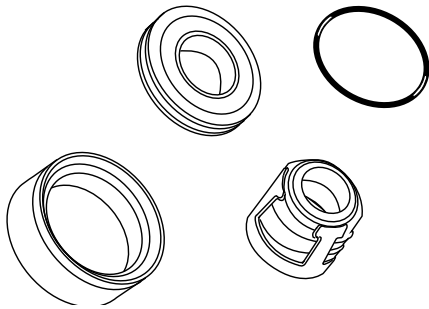
Chrysler 6C17
Nippondenso 10P08E
(Lip Seal Type)

220-22152

PICTURE
NOT
AVAILABLE

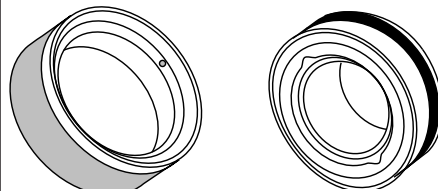
Seltec / Tama / Diesel Kiki
TM31 Shaft Seal Kit

220-22153



Shaft Seal Kit
SD708 / 709

220-23144



SD5H14 & SD7H15
Sanden Lip Seal Com-
pressors

220-28902

PICTURE
NOT
AVAILABLE

Valve Plate Sanden 505,
507, 508 & 510